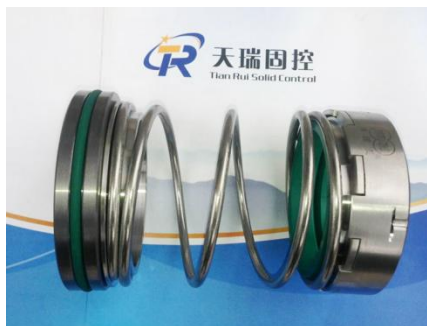
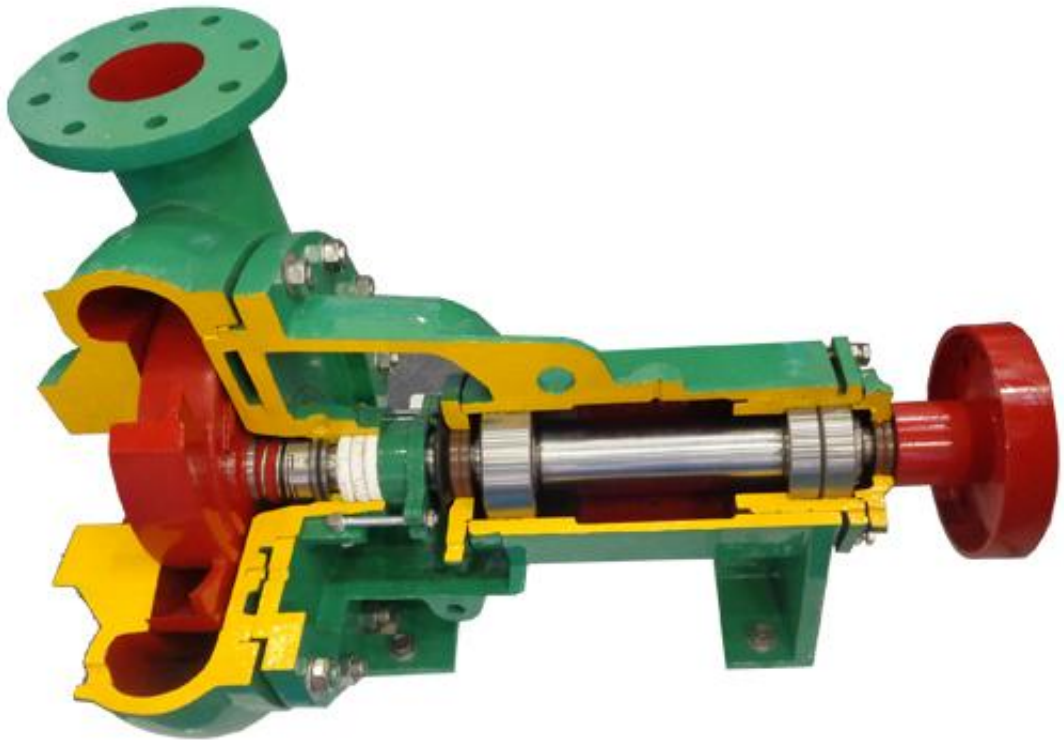


# Centrifuge Pump

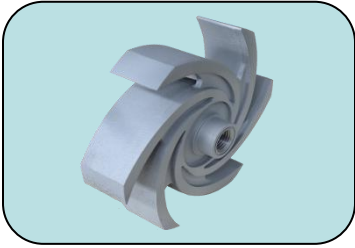


## Centrifugal Pump

Centrifugal Pump is designed for drilling fluid or industrial suspension (slurry), use of modern design theory and design, pumping abrasive and viscous (Features) and corrosive liquids . Compared with the General pump, with excellent performance, high traffic, high temperature, long service life, easy maintenance, high reliability and remarkable energy saving characteristics, Now onshore and offshore drilling is widely used around the world. We will provide customers with the best products to meet different conditions.



## Why choose TR Sand Pump?



### ※ Impeller with open vane structure

The open vane structure impeller reduces the shaft load to minimum, more suitable for transferring high density and high viscosity mud.



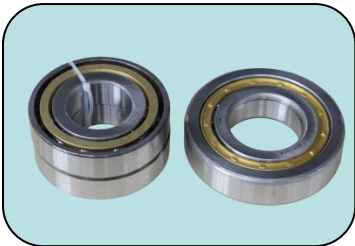
### ※ Higher efficiency and longer service life

The vane profile complying with the hydraulic principle , increase the output and efficiency . Utilizing wear- resistant materials for the key parts to prolong the service life



### ※ Axial adjustment structure

Axial adjustment structure makes it free to adjust the clearance between impeller and mechanical seal to ensure equipment operation more reliable



### ※ Brand bearings

Brand bearings can ensure the long term stable and reliable operation



### ※ Mechanical seal

Mechanical seal to prevent mud leakage, the scene environment more clean

### ※ Parts interchangeable with Mission Pump



### TRSB Centrifugal Pump Parameter (Under 50HZ)

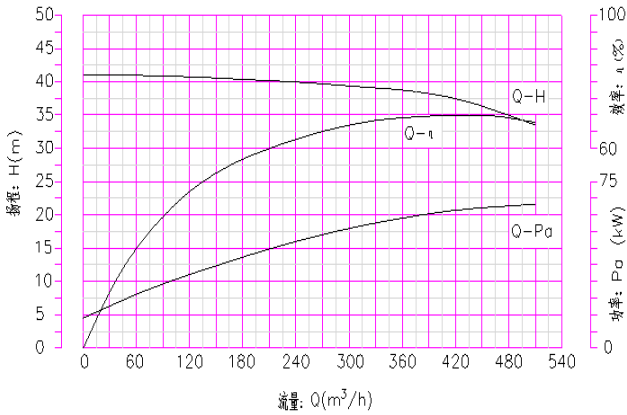
Model	Capacity	Head	Power	Speed	Efficiency
TRSB8x6-14	320 m <sup>3</sup> /h	40 m	75KW	1480 rpm	65%
TRSB8x6-13	240 m <sup>3</sup> /h	33 m	55KW	1480 rpm	64%
TRSB8x6-12	200 m <sup>3</sup> /h	33m	45KW	1480 rpm	64%
TRSB6x5-13	180 m <sup>3</sup> /h	34 m	45KW	1470 rpm	60%
TRSB6x5-12	160 m <sup>3</sup> /h	30 m	37KW	1470 rpm	60%
TRSB6x5-11	120 m <sup>3</sup> /h	21 m	30KW	1470 rpm	62%
TRSB5x4-12	90 m <sup>3</sup> /h	30 m	22KW	1460 rpm	56%
TRSB4x3-13	50 m <sup>3</sup> /h	40 m	15KW	1460 rpm	48%
TRSB4x3-12	45 m <sup>3</sup> /h	30 m	11KW	1460 rpm	47%
TRSB3x2-12	23 m <sup>3</sup> /h	29 m	7.5KW	1450 rpm	39%

### TRSB Centrifugal Pump Parameter (Under 50HZ)

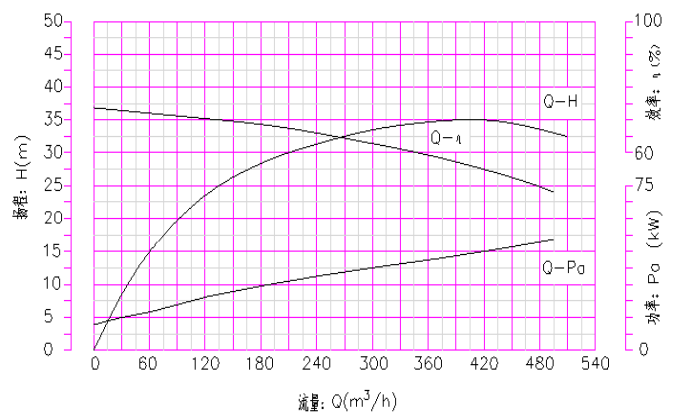
Model	Capacity	Head	Power	Speed	Efficiency
TRSB8x6-12	335 m <sup>3</sup> /h	43 m	75KW	1780 rpm	66%
TRSB6x5-13	240 m <sup>3</sup> /h	48 m	75KW	1780 rpm	61%
TRSB6x5-12	196 m <sup>3</sup> /h	48 m	55KW	1780 rpm	61%
TRSB5x4-14	149 m <sup>3</sup> /h	61 m	45KW	1760 rpm	58%
TRSB5x4-12	120 m <sup>3</sup> /h	40 m	37KW	1760 rpm	56%
TRSB5x4-11	112 m <sup>3</sup> /h	45 m	30KW	1760 rpm	58%
TRSB5x4-10	105 m <sup>3</sup> /h	30 m	22KW	1750 rpm	57%
TRSB4x3-13	80 m <sup>3</sup> /h	45 m	22KW	1750 rpm	50%
TRSB4x3-11	55 m <sup>3</sup> /h	45 m	15KW	1750 rpm	37%
TRSB3x2-12	28 m <sup>3</sup> /h	45 m	11KW	1750 rpm	40%
TRSB3x2-11	25 m <sup>3</sup> /h	35 m	7.5KW	1750 rpm	41%

# Performance Curve

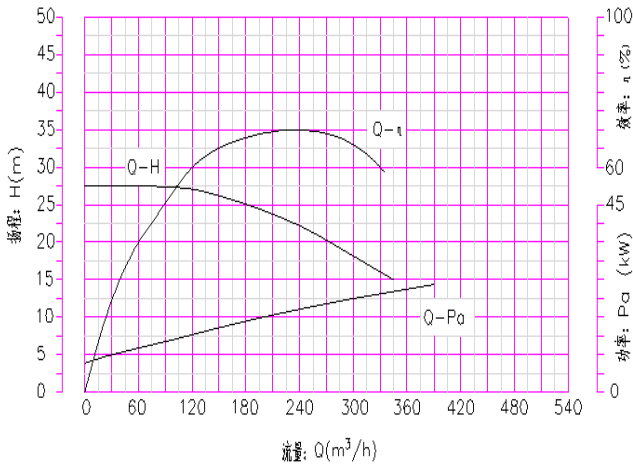
TRSB8X6-14 Impeller 14" 1450rpm



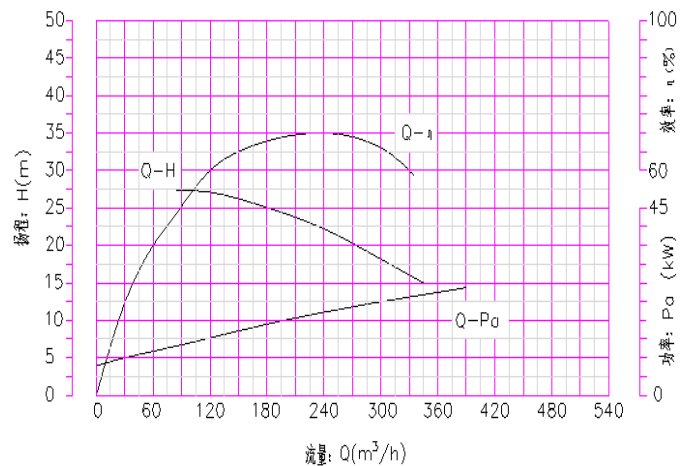
TRSB8X6-13 Impeller 14" 1450rpm



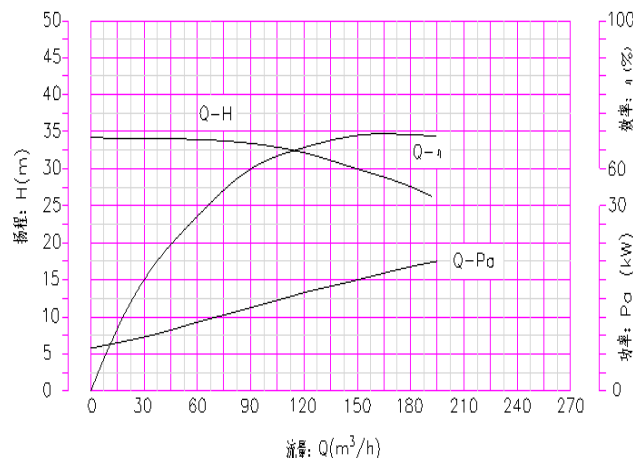
TRSB6X5-12 Impeller 12" 1450rpm



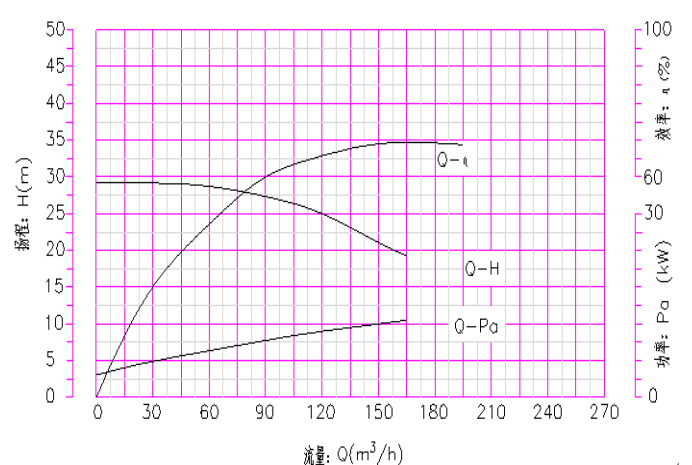
TRSB6X5-11 Impeller 11" 1450rpm



TRSB5X4-12 Impeller 12" 1450rpm

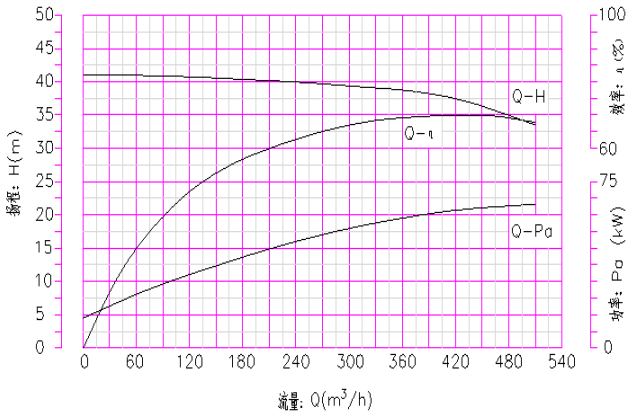


TRSB4X3-11 Impeller 11" 1450rpm

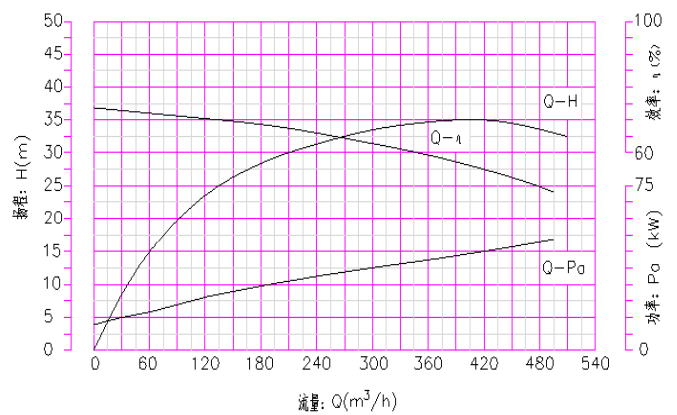


## Performance Curve

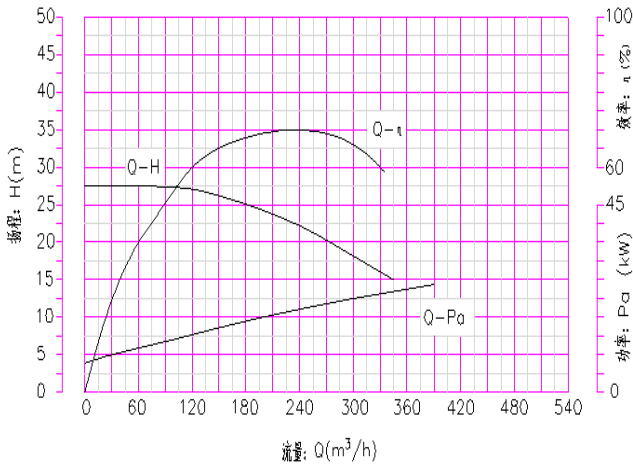
TRSB8X6-14 Impeller 14" 1450rpm



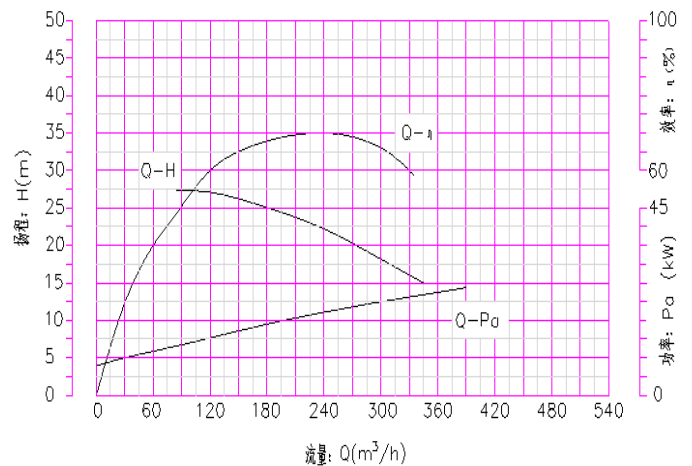
TRSB8X6-13 Impeller 14" 1450rpm



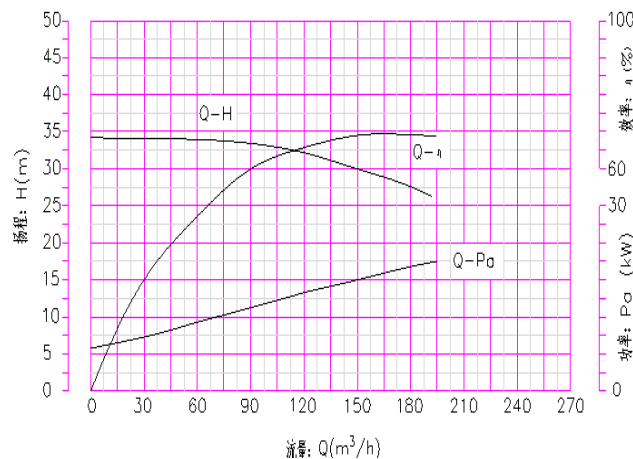
TRSB6X5-12 Impeller 12" 1450rpm



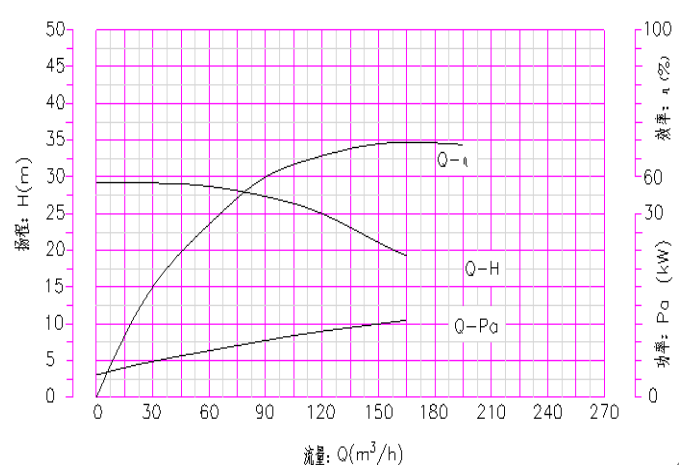
TRSB6X5-11 Impeller 11" 1450rpm

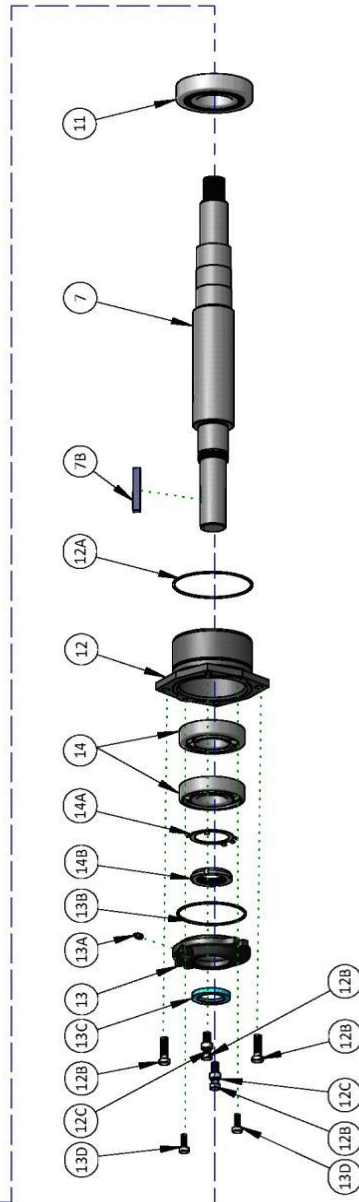
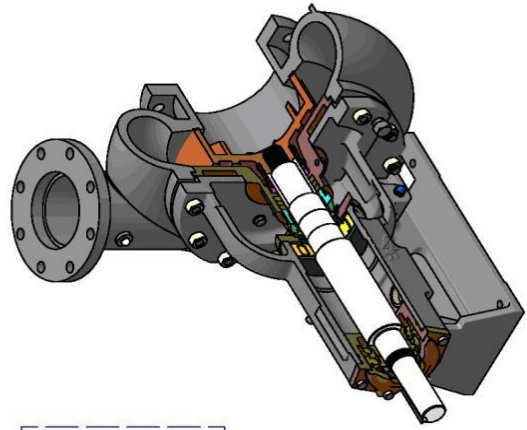
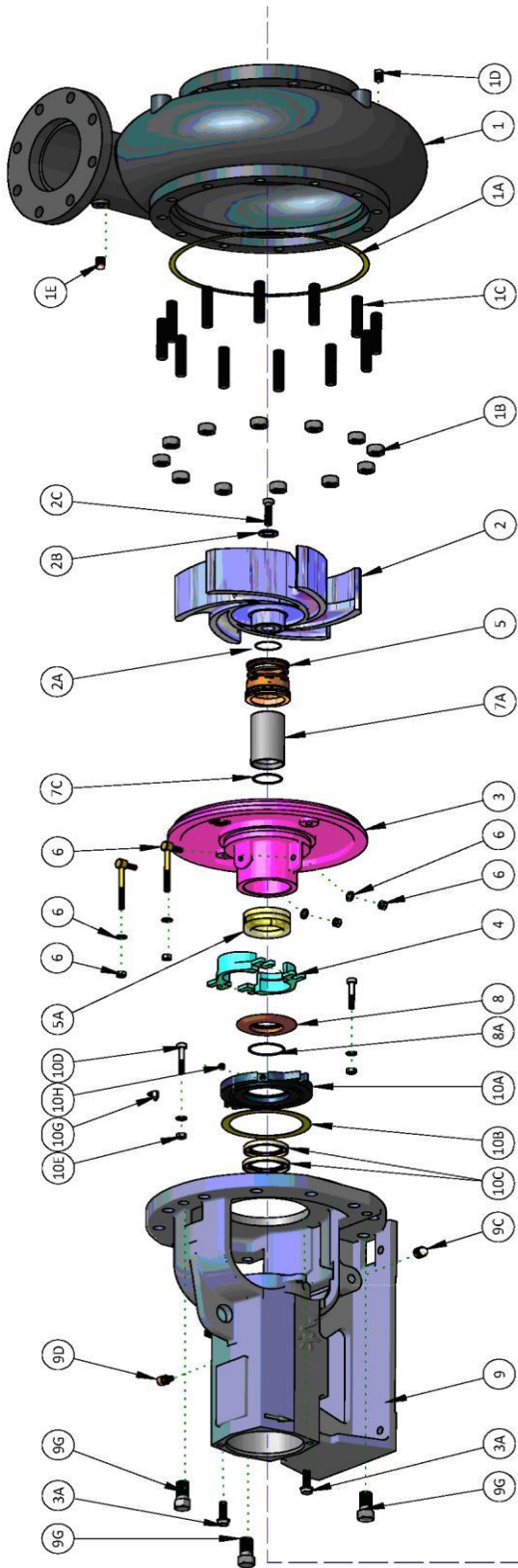


TRSB5X4-12 Impeller 12" 1450rpm



TRSB4X3-11 Impeller 11" 1450rpm





S/n.	Part name	Qty	S/n.	Part name	Qty
1*	Pump shell	1	10D	Bolt for inside	2
1A	Seal washer for pump shell	1	10G	Alemite fitting NPT1/8	1
1B	Tightening nut for pump shell 3/4	12	11	Inside bearing	1
1C	Tightening nut for pump shell 3/4X85	12	12	Axial adjustment collar	1
1D	Square head plug 3/8	1	12A	O-ring	1
1E	Square head plug 1/2	1	12B	Nut for axial adjustment collar	4
2*	Impeller	1	12C	Detrusion nut for axial adjustment collar	2
2A	O-ring	1	13	Outside bearing	1
2B	Lock washer for impeller	1	13A	Alemite fitting	1
2C	Lock washer for impeller	1	13B	O-ring	1
3*	Mechanical seal box	1	13C	Oil seal	1
3*	Packing seal box	1	13D	Bolt for outside bearing cover	2
3A	Tightening nut for mechanical seal box	2	14	Bearing	1
4	Packing pressing bush	1	14A	Lock washer	1
5	Mechanical seal	1	14B	Lock nut	1
5A	Packing	3	泵壳		
6	L bolt assembly	2	1*	Pump case, 3x2x13	1
7	Shaft	1	1*	Pump case, 4x3x13	1
7A	Wear bushing ( Mechanical seal )	1	1*	Pump case, 5x4x11	1
7A	Wear bushing ( Packing seal )	1	1*	Pump case, 6x5x11	1
7B	Key	1	1*	Pump case, 6x5x14	1
7C	O-ring	1	1*	Pump case, 8x6x11	1
8	Water retaining ring	1	1*	Pump case, 8x6x14	1
8A	O-ring	1	1*	Pump case, 10x8x14	1
9	Bearing base	1	叶轮		
9C	Square head plug 1/2	1	2*	Impeller for pump, 3x2x13	1
9D	Breathing mouth	1	2*	Impeller for pump, 4x3x13	1
9G	Detrusion bolt for pump shell	3	2*	Impeller for pump, 5x4x14	1
10A	Inside bearing cover	1	2*	Impeller for pump, 6x5x11	1
10B	Seal washer for inside bearing cover	1	2*	Impeller for pump, 6x5x14	1
10C	Oil seal	2	2*	Impeller for pump, 8x6x11	1
10E	Nut for inside	2	2*	Impeller for pump, 8x6x14	1
	bearing cover		2*	Impeller for pump, 10x8x14	1





Sales office: No.10 West of North 2nd Ring Road Xi'an City.

Manufacture: No.60 Caotang Industry Zone Huxian County Xi'an City.

Tel: +86-29-86332919

Call: +86-13186019379

E-mail: [sales@trsolidscontrol.com](mailto:sales@trsolidscontrol.com)

Web:[www.chinasolidscontrol.com](http://www.chinasolidscontrol.com)

[www.trsolidscontrol.com](http://www.trsolidscontrol.com)